

# UNIVERSAL SYSTEMS

## SECTION 1



1-800-848-5018

## **HOT MELT UNITS**

THE FOLLOWING SECTION LISTS THE PROBILT SERIES OF HOT MELT UNITS MANUFACTURED BY UNIVERSAL SYSTEMS AND ALL APPLICABLE REPLACEMENT PARTS. PLEASE CONTACT UNIVERSAL SYSTEMS CUSTOMER SERVICE AT 1-800-848-5018 IF YOU CANNOT LOCATE THE ITEM YOU ARE LOOKING FOR.



# Universal Systems SE, Inc PROBILT Series of Hot Melt Units

## 10 YEAR Tank Warranty



*Probilt 20*



*Probilt 40*

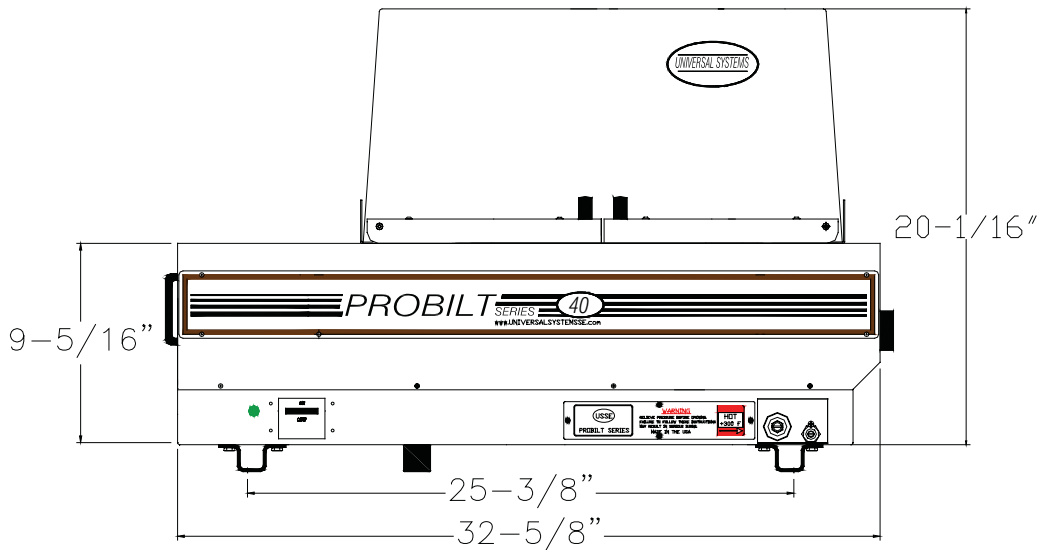
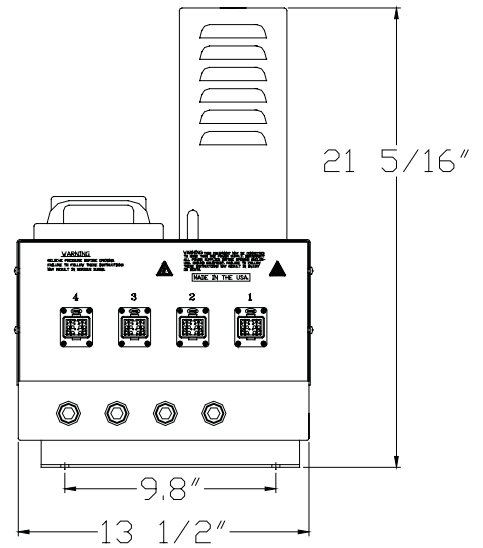
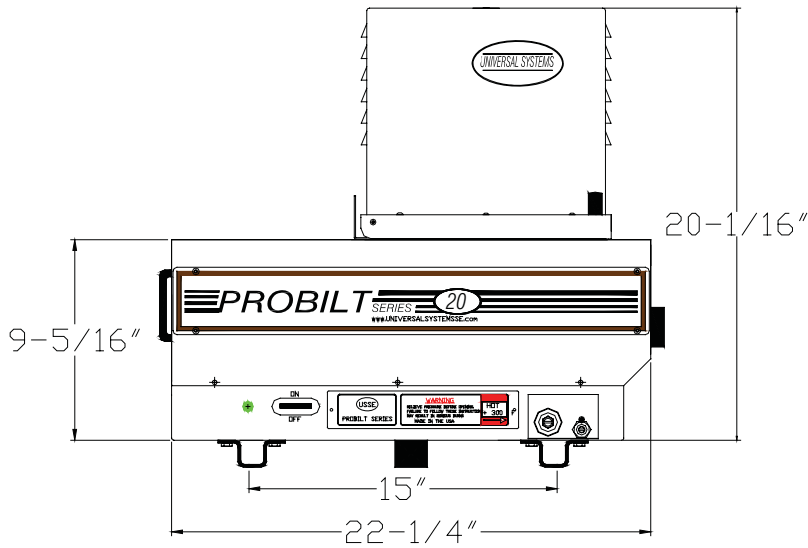
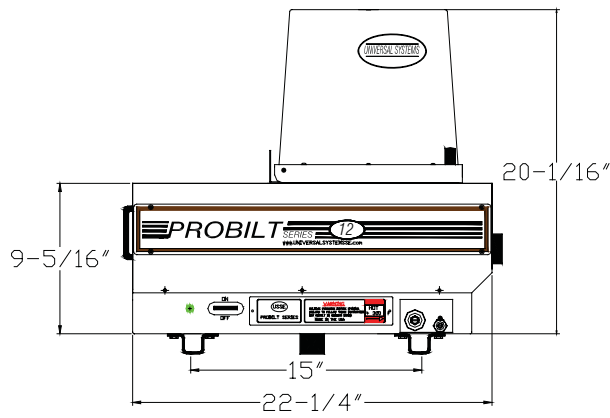
Universal Systems is one of the world's premier manufacturers of hot melt adhesive systems and custom components. We carry a complete line of hot melt products that include hot melt units, pneumatic pumps, heated hoses, modular pneumatic guns, gun modules, and glue nozzles. Our products are durable, reliable, and industry compatible.



*Probilt 12*

The PROBILT Series of hot melt units are the most economical, simple to operate, and virtually maintenance free glue units ever developed. State of the art engineering of long lasting components ensures extended life, less downtime, and greater consumer flexibility that is sure to outlast and out perform similar competing products in the industry. Unique features of this series include:

- The AccuScan™ Control System with keypad controls, automatic scanning of all zones, parent machine interfacing, and “One Touch” temperature setback key for a convenient standby mode.
- Cast in tank heater with an extended 10-year warranty.
- Compatibility with Nordson® machinery allows for integration of many existing spare parts, such as pumps, heated hoses, guns, and modules.





## FEATURES OF THE ACCUSCAN CONTROL SYSTEM

- SOLID STATE KEY PAD TEMPERATURE CONTROLS FOR MELT TANK, HOSES AND GUNS
- "ONE TOUCH" DIGITAL SETBACK KEY
- PRECISE RTD TEMPERATURE CONTROL WITH SELF DIAGNOSTIC DIGITAL TEMPERATURE READINGS
- OVERTEMPERATURE PROTECTION ON ALL ZONES WITH AN AUDIBLE FAULT ALARM
- AUTOMATIC SCANNING OF ALL ACTIVATED ZONES
- PARENT MACHINE INTERFACING
- PROGRAMMED SEQUENTIAL COMPONENT HEATING FOR REDUCED STRESS ON START UP

## Tank Replacement Chart

ALL UNIVERSAL SYSTEMS SE HOT MELT UNITS ARE DIRECT REPLACEMENTS FOR THE NORDSON® HOT MELT UNITS LISTED BELOW.

Probilt Series 12 Unit 12 lb Holding Capacity	Probilt Series 20 Unit 20 lb Holding Capacity	Probilt Series 40 Unit 40 lb Holding Capacity
MESA™ Series	MESA™ Series	MESA™ Series
4 liter unit 8 lb Holding Capacity 6 liter unit 12 lb Holding Capacity	9 liter unit 19 lb Holding Capacity	14 liter unit 30 lb Holding Capacity
PROBLUE™ Series	PROBLUE™ Series	PROBLUE™ Series
4 liter unit 8 lb Holding Capacity 7 liter unit 15 lb Holding Capacity	10 liter unit 21.4 lb Holding Capacity	15 liter unit 32 lb Holding Capacity
3000 Series	3000 Series	3000 Series
3100 unit 8 lb Holding Capacity 3400 unit 12 lb Holding Capacity	3500 unit 19 lb Holding Capacity	3700 unit 30 lb Holding Capacity
	2300 Series	
	2302 unit 19 lb Holding Capacity 2304 unit 19 lb Holding Capacity	

IN ADDITION, THE PROBILT SERIES HOT MELT UNITS ARE IDEAL UPGRADES OR REPLACEMENTS FOR DYNATEC®, CHALLENGER®, MELTON®, & ROBATECH®.

# HOT MELT UNITS

## UNITS STARTING AT \$3595

MADE IN THE USA



- 12 lb tank capacity.
- 15 lbs/hr system melt rate.
- 75lbs/hr @ 3200 centipoise pump rate.
- On board microprocessor.
- ±1°F temperature control stability.
- 100°F - 425°F operating temperature range.
- Minimum of 1 – Maximum of 4 hose capability.

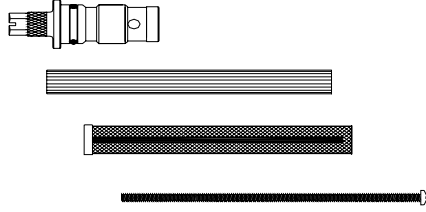
- 20 lb tank capacity.
- 22 lbs/hr system melt rate.
- 75lbs/hr @ 3200 centipoise pump rate.
- On board microprocessor.
- ±1°F temperature control stability.
- 100°F - 425°F operating temperature range.
- Minimum of 1 – Maximum of 4 hose capability.

- 40 lb tank capacity.
- 50 lbs/hr system melt rate.
- 75lbs/hr @ 3200 centipoise pump rate.
- On board microprocessor.
- ±1°F temperature control stability.
- 100°F - 425°F operating temperature range.
- Minimum of 1 – Maximum of 4 hose capability.

ITEM		DESCRIPTION
------	--	-------------

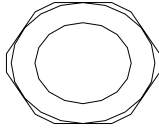
D100-842		PROBILT SERIES HOT MELT UNIT, 12LB. CAPACITY, 1-2 HOSE CAPABILITY
D100-842X		PROBILT SERIES HOT MELT UNIT, 12LB. CAPACITY, 1-2 HOSE CAPABILITY (EXCH.)
D100-844		PROBILT SERIES HOT MELT UNIT, 12LB. CAPACITY, 1-4 HOSE CAPABILITY
D100-844X		PROBILT SERIES HOT MELT UNIT, 12LB. CAPACITY, 1-4 HOSE CAPABILITY (EXCH.)
D100-644		PROBILT SERIES HOT MELT UNIT, 20LB. CAPACITY, 1-4 HOSE CAPABILITY
D100-644X		PROBILT SERIES HOT MELT UNIT, 20LB. CAPACITY, 1-4 HOSE CAPABILITY (EXCH.)
D100-344		PROBILT SERIES HOT MELT UNIT, 40LB. CAPACITY, 1-4 HOSE CAPABILITY
D100-344X		PROBILT SERIES HOT MELT UNIT, 40LB. CAPACITY, 1-4 HOSE CAPABILITY (EXCH.)

# TANK MANIFOLD PARTS



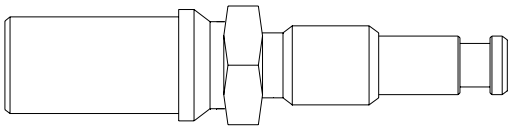
## FILTER ASSEMBLY & PARTS

ITEM	DESCRIPTION
B100-275	MANIFOLD FILTER ASSEMBLY FOR PROBILT SERIES
B100-112	MANIFOLD BUNG WITH O-RING FOR FILTER ASSEMBLY
B100-096	SCREEN FOR FILTER ASSEMBLY
B100-117	CORE FOR FILTER ASSEMBLY
A100-248	ROUNDHEAD SCREW FOR FILTER ASSEMBLY
6117	VITON O-RING FOR MANIFOLD FILTER BUNG, US117C



## FILTER BUNG ADAPTER

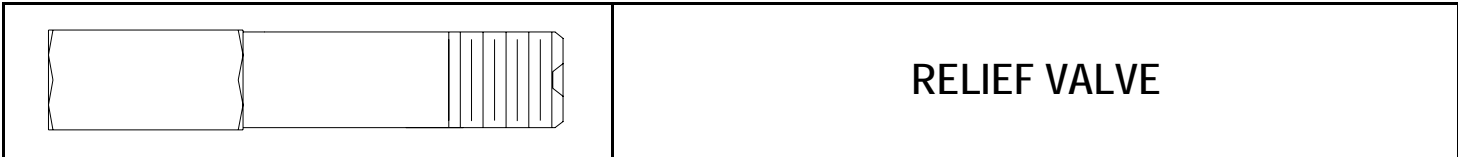
ITEM	DESCRIPTION
A100-108	MANIFOLD FILTER BUNG ADAPTER
6122	VITON O-RING FOR MANIFOLD FILTER BUNG ADAPTER, US122C



## DRAIN VALVE

ITEM	DESCRIPTION
B100-115	MANIFOLD DRAIN VALVE KIT FOR PROBILT SERIES
6010	VITON O-RING FOR MANIFOLD DRAIN VALVE, US010C
6410	TEFLON BACK UP RING FOR MANIFOLD DRAIN VLVE, US010TC
5533	M4 X 8MM PAN HEAD SCREW (10PK)

# TANK MANIFOLD PARTS



ITEM		DESCRIPTION
A100-208		MANIFOLD RELIEF VALVE ASSEMBLY FOR PROBILT SERIES



ITEM		DESCRIPTION
6700		9/16-18 STRAIGHT HOSE CONNECTOR WITH O-RING
6702		9/16-18 45° HOSE CONNECTOR WITH O-RING
6704		9/16-18 90° HOSE CONNECTOR WITH O-RING
6709		9/16-18 HOSE CONNECTOR EXTENSION WITH O-RING
3004		9/16-18 MANIFOLD PLUG WITH O-RING
6906		VITON O-RING FOR HOSE CONNECTOR, EXTENSION, & MANIFOLD PLUG, US906C

# TANK ELECTRICAL PARTS

	<h2 style="margin: 0;">CIRCUIT BOARD &amp; PARTS</h2>
---	---

ITEM		DESCRIPTION
C100-568		ACCUSCAN CONTROL SYSTEM PANEL ASSEMBLY FOR PROBILT SERIES
C100-168		INTELLISCAN CONTROL SYSTEM (REPLACED BY PART# C100-568)
A100-278		6.3 AMP FUSE FOR ACCUSCAN CONTROL SYSTEM
A100-247		HOSE JUMPER FOR INTELLISCAN CONTROL SYSTEM

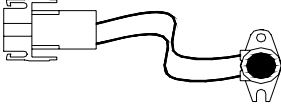
	<h2 style="margin: 0;">CIRCUIT BREAKER</h2>
--	---

ITEM		DESCRIPTION
A100-261		CIRCUIT BREAKER WITH BOOT FOR PROBILT SERIES

	<h2 style="margin: 0;">RTD</h2>
---	---------------------------------

ITEM		DESCRIPTION
A100-274		TANK RTD SENSOR ASSEMBLY FOR PROBILT SERIES

# TANK ELECTRICAL PARTS

	<h2 style="margin: 0;">THERMOSTAT</h2>
---	--

ITEM		DESCRIPTION
A100-273		TANK THERMOSTAT ASSEMBLY FOR PROBILT SERIES

	<h2 style="margin: 0;">TRIAC</h2>
---	-----------------------------------

ITEM		DESCRIPTION
A100-271		TRIAC FOR PROBILT SERIES

	<h2 style="margin: 0;">FUSE</h2>
---	----------------------------------

ITEM		DESCRIPTION
A100-262		IN-LINE FUSE FOR PROBILT SERIES

	<h2 style="margin: 0;">SINGLE PHASE JUMPER</h2>
---	---

ITEM		DESCRIPTION
A100-259		SINGLE PHASE JUMPER FOR PROBILT SERIES

# MAINTENANCE & SERVICE PARTS



## PROBILT SERIES LID ASSEMBLY

ITEM	DESCRIPTION
C100-190A	LID ASSEMBLY WITH SEAL PLATE AND HANDLE ( 12 / 20 )
A100-946	LID ASSEMBLY HANDLE ONLY ( 12 / 20 / 40 )



## TANK CLEANER

ITEM	DESCRIPTION
62753	PURGE PLUS TANK CLEANER, 5 GALLON PAIL



## MISCELLANEOUS PARTS

ITEM	DESCRIPTION
62752	KEVLAR GLOVES
62754	TEFLON PASTE
62755	PARKER O-RING LUBRICANT
62756	NEVER SEEZ
62760	OIL FOR AIR LUBRICATOR